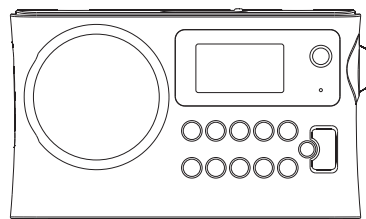


PR-D14USB / PR-D14



GB

Revision 1

Table of contents

<i>Important safety instructions</i>	2-4
<i>Controls</i>	5-6
<i>Using the radio for the first time</i>	7
<i>Operating your radio – Searching tuning AM / FM</i>	7
<i>Setting up the tuning step increment</i>	8
<i>FM range setting</i>	9
<i>Display modes – FM</i>	9
<i>FM stereo (auto) / mono</i>	10
<i>Presetting stations / Recalling a preset station in AM / FM modes</i>	11
<i>Setting the time format / date format</i>	12
<i>Setting the clock time manually</i>	13
<i>Setting the clock time using RDS CT</i>	14
<i>Setting the alarm clock</i>	15
<i>When the alarm sounds / Cancelling alarms</i>	16
<i>Snooze</i>	16
<i>Sleep timer</i>	17
<i>Display backlight</i>	17
<i>Playing MP3 and WMA files in USB</i>	18-19
<i>Selecting a file</i>	19
<i>Search function</i>	20
<i>To skip to another folder</i>	20
<i>Play mode</i>	20
<i>Repeat file within section A-B</i>	20
<i>Aux in</i>	21
<i>Headphone socket</i>	21
<i>Software version</i>	21
<i>Specifications</i>	22

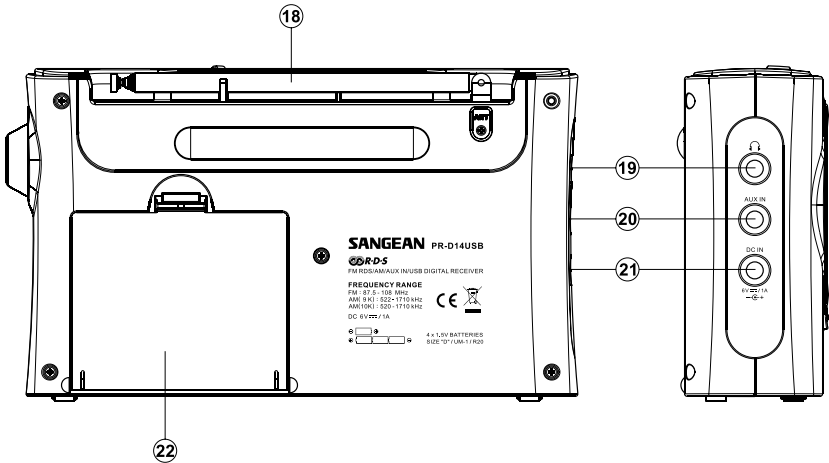
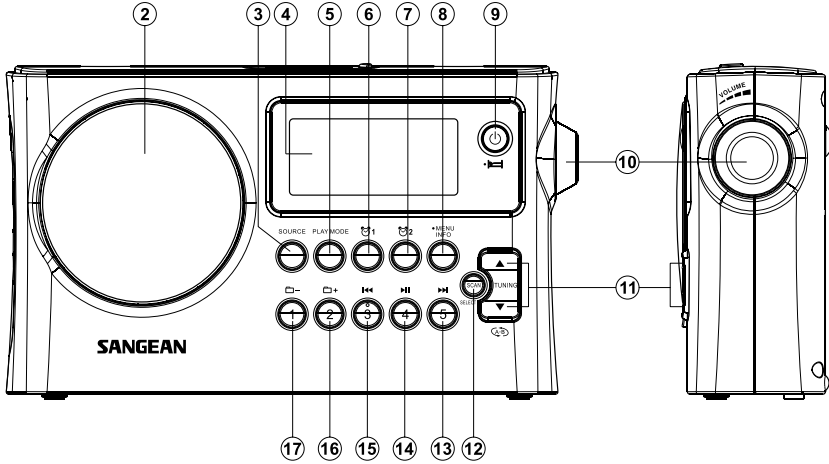
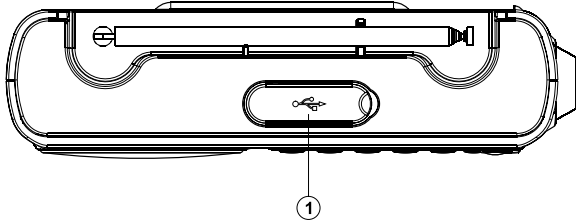
Important Safety Instructions

GB

1. Read and understand all safety and operating instructions before the radio is operated.
2. Retain instruction: The safety and operating instructions should be retained for future reference.
3. Heed warnings. All warnings on the appliance and operating instructions should be followed.
4. Follow all operations and use instructions.
5. Water and moisture: The appliance should not be used near water. Do not use near a bathtub, washbowl, laundry tub, kitchen sink, wet basement, swimming pool, etc.
6. Unplug the radio from the AC power outlet before cleaning. Use only a damp cloth for cleaning the exterior of the radio.
7. Do not place the radio on an unstable cart, stand, bracket or table. The radio may fall, causing serious personal injury and damage to the radio.
8. Ventilation: This radio should be situated so that its location or position does not interfere with its proper ventilation. For example, the radio should not be used on a bed, sofa, rug or other soft surfaces that may block the ventilation openings. It should not be placed in a built-in situation like a cabinet that may reduce air flow through the ventilation openings.
9. Power sources: The radio should be operated only from the type of power source indicated on the marking label. If you are not sure of the type of power supply to your home, consult your radio dealer or power company.

10. Mains adaptor: The mains adaptor should be positioned so it is not walked on, pinched, or items placed on top of it. Pay particular attention to wires at plugs, convenience receptacles, and the point where they exit from the unit. Unplug the mains adaptor by gripping the adaptor, not the wire. Operate the radio using only the current type of power source indicated. If you are not sure of the type of power source supply to your home, consult your dealer or local power company.
11. Do not overload wall outlets or extension cords. This can result in a risk of fire or electrical shock. Never insert objects of any kind into the radio through opening. The objects may touch dangerous voltage points or short out parts. This could cause a fire or electrical shock.
12. If the radio is left unattended and unused for long periods of time, unplug it from the wall outlet. This will prevent damage caused by lightning or power line surges.
13. If the radio is left unattended and unused for a long period of time, remove the batteries. The batteries may leak and damage furniture or your radio.
14. Do not attempt to service the receiver yourself. Removing the cover may expose you to dangerous voltage, and will void the warranty.
Refer all servicing to authorized service personnel. Refer all servicing to authorized service personnel.
15. Never push objects of any kind into this radio through opening as they may touch dangerous voltage points or short-out parts that could result in a fire or electric shock.

16. Apparatus shall not be exposed to dripping or splashing and no objects filled with liquids, shall be placed on the apparatus.
17. For outdoors use, to avoid electric shock, use battery only during a raining day or the weather is wet.
18. The power plug should be close to the radio, and easy to be approached that during the emergency, to disconnect the power from the radio, just unplug the power plug from the AC power slot.
19. Notice: The changes or modifications not expressly approved by the party responsible for compliance could void the user's authority to operate the equipment.



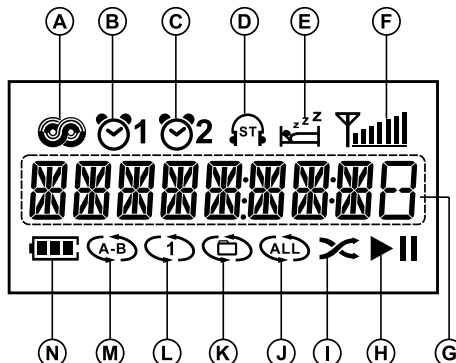
Controls

- | | |
|-------------------------|-----------------------------------|
| ① USB port | ⑫ Scan / Select button |
| ② Loud speaker | ⑬ Preset 5 / Fast- forward button |
| ③ Source button | ⑭ Preset 4 / Play / Pause |
| ④ Display | ⑮ Preset 3 / Backward button |
| ⑤ Play mode button | ⑯ Preset 2 / Folder Up |
| ⑥ Alarm 1 button | ⑰ Preset 1 / Folder Down |
| ⑦ Alarm 2 button | ⑱ Telescopic aerial |
| ⑧ Menu / Info button | ⑲ Headphone socket |
| ⑨ Standby button | ⑳ Aux in socket |
| ⑩ Volume Control Rotary | ㉑ DC in socket |
| ⑪ Tuning Up / Down | ㉒ Battery compartment |

GB

Display icon

- | | |
|--------------------------|--------------------------|
| Ⓐ RDS | Ⓔ Play / pause |
| Ⓑ Alarm 1 | Ⓕ Random play |
| Ⓒ Alarm 2 | Ⓖ Repeat all |
| Ⓓ Stereo | Ⓗ Repeat folder |
| Ⓔ Sleep / Snooze | Ⓖ Repeat one |
| Ⓕ Signal level indicator | Ⓜ Repeat section A-B |
| Ⓖ Frequency / Time | Ⓝ Battery life indicator |



Using the radio for the first time

Using the DC power adaptor

The DC power adaptor required for this unit should be 6 volts DC at 1A. Insert the adaptor plug into the DC socket on the left hand side of the radio. Plug the adaptor into a standard mains socket outlet. The DC adaptor should be disconnected from the main supply when not in use.

Operating your radio – Search tuning AM / FM

1. Press the Standby button to switch on your radio.
2. Press the Source button as needed until the AM or FM band is selected.
3. Press and release the Scan button to carry out an auto-tune. Your radio will scan up the AM / FM band from the currently displayed frequency and will stop scanning automatically for a few seconds when it finds a station of sufficient strength. Then it will continue the next station search.
4. To stop the auto station search and to listen to your desired station, press Scan button again and the unit will stop the auto tune.
5. Use the Volume control to adjust the sound level as required.
6. To switch off your radio press the Standby button.

Manual tuning – AM / FM

1. Press the Standby button to switch on your radio.
2. Press and release the Source button to select AM or FM radio mode.
3. Press the Tuning Up / Down button to tune to a station. The FM frequency will change in steps of 100kHz / 50kHz and AM frequency will change in steps of 10kHz / 9kHz.
4. When the end of the waveband is reached your radio will recommence tuning from the opposite end of the waveband.
5. Use the Volume control to adjust the sound level as required.

Setting up the tuning step increment

1. Press and hold the Info / menu button to enter the menu setting when the radio source is in AM / FM mode.
2. Press the Tuning Up / Down until FM xxK or AM xxkHz appears on the display, and press and release the Scan button to enter the step increment setting.
3. Press the Tuning Up / Down to select 50K / 100K for FM radio, and 9kHz / 10kHz for AM radio. Then press and release the Scan button to confirm the setting.

FM range setting

FM range is different from country. It is necessary to adjust FM range to allow the radio to work properly.

1. Press and hold the Info / menu button to enter the menu setting.
2. Press the Tuning Up / Down till 'FM 87-108' shows on the display. Press the Scan button to enter the desired FM range. Press Tuning Up / Down to select the proper FM range and press the Scan button to confirm the setting. FM range setting is then completed.

The available FM range is as following:

87-108 for the common area (default)

76-90 for Japan

64-108 for Eastern European countries and Russia

76-108 for some of China area and European countries

Display modes – FM

Your radio has a range of display options for FM radio mode.

1. Repeatedly press and release the Info / menu button to view the RDS information of the station you are listening to.
 - a. Station name Displays the name of the station being listened to.
 - b. Program type Displays the type of station being listened to such as Pop, Classic, News, etc.
 - c. Radio text Displays radio text messages such as new items etc.
 - d. Day / Year Displays the year and day of the week according to the date setting of your radio.
 - e. Day / Date Displays the date and day of the week according to the date setting of your radio.
 - f. Frequency Displays the frequency of the FM for the station listened to.

FM stereo (auto) / mono

If the FM radio station being listened to has a weak signal some hiss may be audible. It is possible to reduce this hiss by forcing the radio to play the station in mono rather than stereo.

GB

1. Press the Source button as needed until the FM radio mode display and tune to the required FM station as previously described.
2. Press and hold the Info / menu button to enter the menu setting.
3. Press the Tuning Up / Down until the FM Auto / Mono setting shows on the display. If the setting is Auto, press the Tuning Up / Down to switch to Mono mode to reduce the hiss.
4. To return to Auto (Stereo) mode press and release the Tuning Up / Down to alter the setting, so that the radio will switch back to Auto mode.

Presetting stations in AM / FM mode

There are 5 preset stations each for AM and FM radio. They are used in the same way for each waveband.

1. Press the Standby button to switch on your radio.
2. Press the Source button to select the desired waveband. Tune to the require radio station as previously described.
3. Press and hold the required Preset button (1-5) until the display shows 'P1' for example after the frequency. The station will be stored using the preset number. Repeat this procedure for the remaining presets as you wish.
4. Preset stations which have already been stored may be overwritten by following the above procedure if required.

Recalling a preset in AM / FM mode

1. Press the Standby button to switch on your radio.
2. Select the required waveband by pressing the Source button.
3. Press and release the required Preset button to cause your radio to tune to one of the stations stored in the preset memory.

Clock and Alarms

GB

Setting the time format

The clock display used in stand-by mode and on the playing mode screens can be set to 12 or 24 hour format. The selected format is then also used when setting the alarms.

1. Press and hold the Info / menu button to enter the menu setting.
2. Press the Tuning Up / Down until CLOCK xxH appears on the display, then press and release the Scan button to enter the setting and the setting of time format begins to flash.
3. Press the Tuning Up / Down to select either 12 or 24 hour format. Press and release the Scan button to confirm your choice of clock format.

Note: If the 12 hour clock format is chosen, the radio will then use the 12 hour clock for the setting of alarms with a PM indicator.

Setting the date format

1. Press and hold the Info / menu button to access the menu setting.
2. Press the Tuning Up / Down until today's date shown on the display. Press and release the Scan button to enter the date format setting.
3. Press the Tuning Up / Down to select the required date format. Press and release the Scan button to confirm your choice of date format.

Setting the clock time manually

1. Press the Standby button to switch on your radio.
2. Press and hold the Info / menu button.
3. Press the Tuning Up / Down until 'CLOCK ADJ' appears on the display, then press and release the Scan button to enter the setting.
4. The hour setting on the display will begin flashing. Press the Tuning Up / Down to select the desired hour, and press the Scan button to confirm the setting. Then press the Tuning Up / Down to select the desired minute, and press and release the Scan button to confirm the setting.
5. Press the Tuning Up / Down until 'DATE ADJ' appears on the display. Press and release the Scan button to enter the setting.
6. Press the Tuning Up / Down to select the desired year, and press and release the Scan button to confirm the setting. Then press the Tuning Up / Down to select the desired month, and press and release the Scan button to confirm the setting. Then press the Tuning Up / Down to select the desired date, and press the Scan button to confirm the setting. The radio will beep once when all the setting is completed.

Setting the clock time using RDS CT

When you set the clock time using the RDS function, your radio will synchronize its clock time whenever it tunes to a radio station using RDS with CT signals.

1. When tuning to a station transmitting RDS data, press and hold the Info / menu button.
2. Press the Tuning Up / Down until 'RDS CT' and a clock symbol appear on the display. Press the Scan button to enter the setting.
3. Press the Tuning Up / Down until 'RDS CT' appears on the display. Press the Scan button to confirm the setting. The clock time of the radio will set up automatically according to the RDS data received.
4. When the action is completed, the RDS icon will appear on the LCD display indicating the radio time is RDS clock time. The radio clock time will be valid for 5 days each time the radio time is synchronized with RDS CT.

Setting the alarm clock

Your radio has two alarms which can each be set to wake you to AM / FM radio, buzzer alarm or USB. The alarms may be set while the unit is in standby mode or while playing.

1. Before setting an alarm ensure that the clock time is set. Press and hold the Alarm 1 button to enter the alarm 1 setting.
 2. The hour setting of alarm 1 will begin to flash. Press the Tuning Up / Down to select the required alarm hour, and press and release the Scan button to confirm the setting. Press the Tuning Up / Down to select the required alarm minute, and press and release the Scan button to confirm the setting.
 3. Then the display will show the frequency options for the alarm. The alarm options are as below:
ONCE- the alarm will sound once
DAILY- the alarm will sound everyday
WEEKDAY- the alarm will sound only on weekdays
WEEKEND- the alarm will sound only at weekends
Press and release the Scan button to confirm the setting.
 4. Press the Tuning Up / Down to choose the required alarm type, and then press and release the Scan button to confirm the setting. The alarm can be buzzer, FM, AM or USB. When radio mode is selected, the radio frequency and the preset number on the display will begin to flash. Press the Tuning Up / Down to adjust the desired radio frequency or preset number for the radio alarm, then press the Scan button to confirm the setting.
- Note:** If USB is selected as your alarm type, but USB is not inserted when the alarm is sounding, the buzzer alarm will be used instead.
5. The alarm setting is completed. Active alarms are shown using alarm indicator on the display.

When the alarm sounds

To cancel a sounding alarm, press the Standby button.

When the buzzer alarm activates, the alarm will start softly and gradually increase in level. It will sound for 1 minute and silence for 1 minute in repetition for 60 minutes unless cancelled. The radio will sound non-stop at the selected time for up to 60 minutes for other alarm types.

Disabling / cancelling alarms

To disable an active alarm, either press and release the Standby button, or press and hold the corresponding alarm button to cancel the alarm.

Snooze

1. When the alarm sounds, press any button other than the Standby button will silence the alarm for 5 minutes. The symbol for snooze will appear on the display.
2. To adjust the silence time for the snooze timer, press and hold the Info / menu button to enter the menu setting.
3. Press the Tuning Up / Down until 'SNOOZE X' appears on the display, then press and release the Scan button to enter the setting. Press the Tuning Up / Down to adjust the silence time from 5, 10, 15 and 20 minutes for the snooze timer.
4. To cancel the snooze timer while the alarm is suspended, press and release the Standby button.

Sleep timer

Your radio can be set to turn off automatically after a preset time has elapsed. The sleep timer setting can be adjusted between 15, 30, 45, 60, 90 and 120 minutes.

1. Press and hold the Standby button to enter the Sleep timer setting. 'SLEEP XX' will show on the display.
2. Keep pressing the Standby button and the Sleep timer options will start switching on the display. Stop until the required Sleep timer setting appears on the display. The setting will be saved and the LCD will return to normal display.
3. Your radio switch off automatically after the preset sleep timer has elapsed. The sleep timer icon will show on the display indicating an active Sleep timer.
4. To cancel the sleep timer function before the preset time has elapsed, simply press and release the Standby button to turn the unit off manually.

Display backlight

1. Press and hold the Menu / Info button.
2. Press Tuning Up / Down button until 'LIGHT OFF' shown on the display.
3. Press the Scan button to enter the setting and then press the Tuning Up / Down button to select the required option. If light on is selected, the display backlight will illuminate all the time; whereas light off is selected, the display backlight will illuminate only for 10 seconds. Press Scan to confirm the setting.

Note: Display backlight option is not available when the unit is powered supplied with battery.

Playback MP3 or WMA Files from USB

GB

This section describes how to use your radio to access and playback your audio files via USB memory devices. USB slots are located on top of the unit. This is opened by lifting the rubber cover on top of the radio.

Important: Your radio is only designed to work with USB memory flash memory devices. It is not intended to be connected to hard disk drives or any other type of USB device.

It is possible to use SD or SDHC cards for media playback when held in a suitable USB adaptor. However, due to the wide variation of such adaptors, it is not possible to guarantee that all adaptor / card combinations will work with the radio.

The unit has been tested with a range of USB memory devices of up to 32GB capacity. USB memory must use the FAT or FAT 32 filing system in order to operate with the sound system.

Audio formats supported for playback are MP3 and WMA . Playback does not support files encoded using WMA lossless, WMA Voice, WMA 10 professional, nor files of any format which have DRM protection.

Cautions:

In order to minimize the risk of damage to your radio, your USB Memory, please place the unit such that the device cannot easily be knocked while it is inserted in the socket.

Remove the USB before carrying the unit or if not using the USB feature for a prolonged period.

Place the unit in Standby mode removing your USB memory device.

The USB connection is intended only for flash memory devices. The use of hard disk storage media is not supported.

Play back via USB files stored on MP3 players is not guarantee.

Playing MP3 and WMA files in USB

1. When USB is inserted, press the Standby button to turn the radio on and then press Source button to select USB. The MP3 player will show “reading“ on the LCD display and the number of files and folders stored in the USB will appear.
2. Press the Play / Pause button to start playing from the USB. The display will show folder number and file number, such as 001 / 001.
3. To pause playing, press the Play / Pause button. To resume playing, press the Play / Pause button again.
4. Press the Info button repeatedly to view the information related to the specific media files. (Note: This function only supports English letters, if the media files contain symbols other than English letters, the symbols will be blank.)

Note:

- a) If you put the unit into standby mode without pressing the pause button, the next time the unit is turned on, it will resume to the last play track.
- b) It is highly recommended to store only music files (MP3/ WMA) in your USB device, because if there is one folder contains files other than music files, then your radio will skip this folder and the folder number shown on the display will not be serial.
- c) Your PR-D14USB allows a maximum of 200 folder (including root folder) and 9999files and 6 layers maximum within a folder. If the USB stores more than 200 folders, the extra folders will not show on the display.

Selecting a file

1. While the USB device is playing, press either the fast-forward or rewind buttons to change to the desired file. The file number is updated on the display. If there's more than one folder, all files in the current folder should have been played and the next folder will be played.
2. You can skip to the desired file by pressing the fast-forward or rewind buttons and release the button when the desired track number is displayed.

PR-D14USB allows a maximum of 200 folder and 9999files.

Search function

While the USB memory device is playing, press and hold the Fast-forward or Rewind button. Release the button when the desired part of the current file is reached.

To skip to another folder

With the USB memory is in stop or play mode, press and release either the Folder Up / Down button. The first file of the next or previous folder will be played.

Play mode

When playing the files in USB, press and release Play mode button to select.


Repeat 1: repeatedly play the file you are listening to.

Repeat Folder: repeatedly play the files within the folder you are listening to.


Repeat All: repeatedly play the folders in the USB.

Random: it will play files in the USB by random.

Repeat File within Section A–B

If you'd like to repeat the file only within the selected section (e.g. learning languages), during the playback, press and release the Tuning Down button  for the selection you'd like to start and repeat, press the button once again for the selection you'd like to end the repeat.

The radio will repeat the playback only within the selected section and it will show on the display.

To cancel the repeat, simply press the button  again. The display icon will disappear.

Aux in

A 3.5mm stereo auxiliary input socket located on the left hand side of your radio is provided for connecting the audio signal from an external audio source such as MP3 or CD player.

1. Repeatedly press and release the Source button until AUX IN shown on the display.
2. Connect an external audio source (e.g. MP3 or CD player) to the AUX IN socket.
3. Adjust the volume setting on you MP3 or CD player to ensure an adequate signal level from the player, and then use the volume control on the radio as needed for comfortable listening.
4. After use, disconnect your player in order to listen to your radio conventionally.

Headphone socket

A 3.5mm headphone socket located on the rear of your radio is provided for use with headphones. Inserting a plug automatically mutes the internal loudspeaker.

Please be aware that the sensitivity of headphones can vary widely. We therefore recommend setting volume to a low level before connecting headphones to the radio. It is also recommended to reduce the volume before unplugging your headphones.

Important: Excessive sound pressure from earphones and headphones can cause hearing damage.

Software version

The software display cannot be altered and is just for your reference.

1. Press and hold the Info / menu button to enter the menu setting.
2. Press the Tuning Up / Down until VER0.XX appears on the display to view the software version of your radio.

Specifications

GB

Power Requirements

AC Power adaptor	DC 6V 1A center pin positive
Batteries	4 X UM-1 (D size)
Battery Life	Approx. 170 hours of listening for 4 hours a day at normal volume using alkaline cells
Frequency Coverage	FM 87.50 – 108 MHz AM 522 – 1629 1710 kHz (9 kHz / step) or AM 520 – 1710 kHz (10 kHz / step)

Circuit Feature

Loudspeaker	3 inches 4 ohm
Output Power	800 mW
Headphone socket	3.5 mm dia. Stereo
Aerial System	Telescopic aerial

Different model names are applied according to various market areas.



If at any time in the future you should need to dispose of this product please note that: Waste electrical products should not be disposed of with household waste. Please recycle where facilities exist. Check with your Local Authority or retailer for recycling advice. (Waste Electrical and Electronic Equipment Directive)