

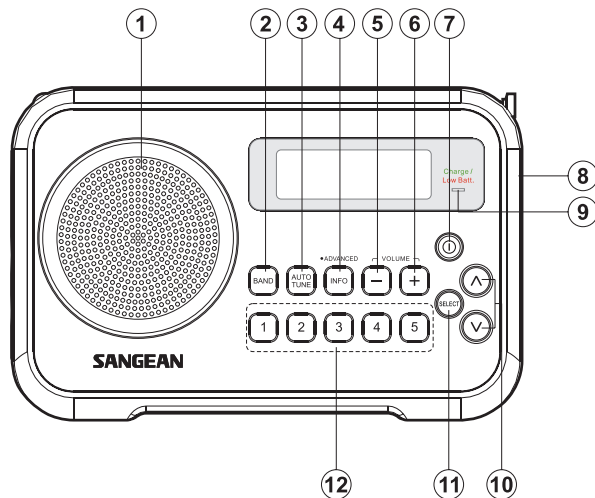
Contents

<i>Controls</i>	2-3	<i>System reset</i>	19
<i>Battery operation</i>	4-5	<i>Headphone socket</i>	20
<i>Using the AC adaptor</i>	6	<i>Display backlight</i>	20
<i>Lock switch</i>	6	<i>USB socket for software upgrade</i>	20
<i>Operating your radio - DAB</i>	7	<i>Battery information</i>	21-23
<i>Selecting a station - DAB</i>	8	<i>General</i>	24
<i>Secondary services - DAB</i>	8	<i>Specifications</i>	25
<i>Display modes - DAB</i>	9	<i>Circuit features</i>	25
<i>Finding new stations - DAB</i>	10		
<i>Manual tuning - DAB</i>	11		
<i>Dynamic range control - DAB</i>	12		
<i>Operating your radio - FM</i>	13		
<i>Manual tuning - FM</i>	14		
<i>Display modes - FM</i>	15		
<i>Presetting stations - DAB and FM</i>	16		
<i>Recalling a preset - DAB and FM</i>	16		
<i>Stereo / Mono setting - FM</i>	17		
<i>Scan sensitivity setting - FM</i>	18		
<i>Software version</i>	19		

Controls

(Front)

GB



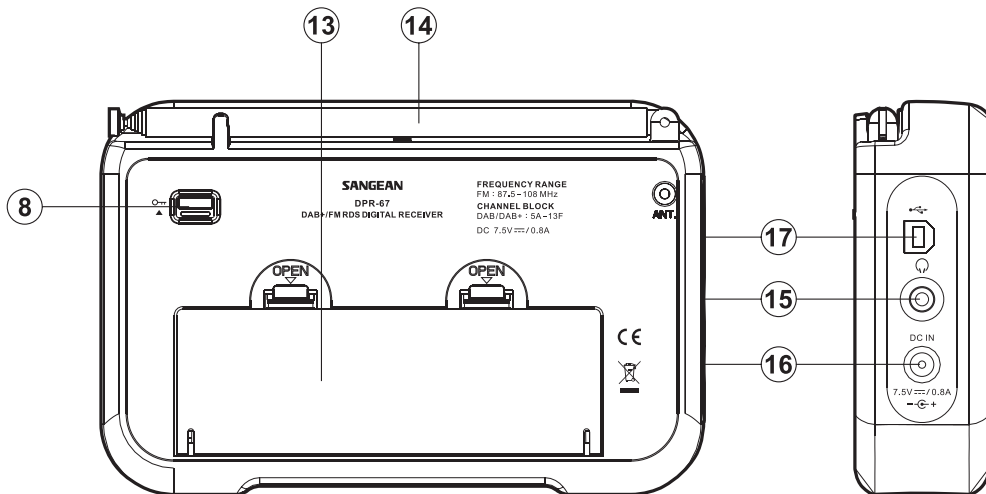
1. Speaker
2. Band button
3. Auto Tune button
4. Info button

5. Volume Down button
6. Volume Up button
7. On / Off button
8. Lock switch

9. Charge / Battery Low indicator
10. Tuning Up / Down buttons
11. Select button
12. Preset buttons

Controls

(Back)



13. Battery compartment

14. Telescopic aerial

15. Headphone socket

16. DC jack socket

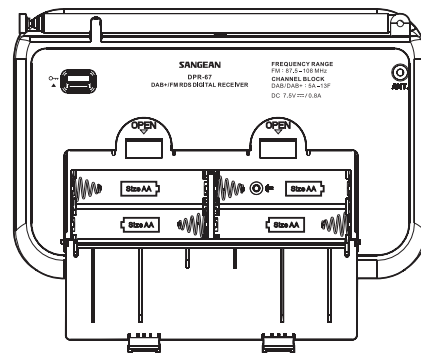
17. USB socket for software upgrade

Battery operation using alkaline batteries

1. Remove the battery cover on the back of the unit by sliding the cover in the direction of the arrow.
2. Slide the switch inside the battery compartment to the Alkaline position.
3. Insert four LR6 (AA size) alkaline batteries into the spaces in the compartment. Take care to ensure all batteries are inserted with the correct polarity as shown on the back of the radio. Then replace the battery cover.

Important:

- **when using alkaline batteries the battery switch must be placed in the alkaline position. Failure to do so could result in serious damage to the batteries or radio.**
- When the batteries are exhausted, the battery light will show red for a short while. The radio will then switch itself off. It may not be possible to switch the radio back on until the batteries are replaced, or until the radio is connected to the mains adaptor.
- If the radio is not to be used for any extended period of time it is recommended that the batteries are removed from the radio.
- *We would recommend for economy that the DPR-67 is used via the AC adaptor whenever possible with battery operation for occasional or stand-by use only. If extended listening using batteries is anticipated, then the use of rechargeable batteries is recommended.*



Battery operation using rechargeable batteries

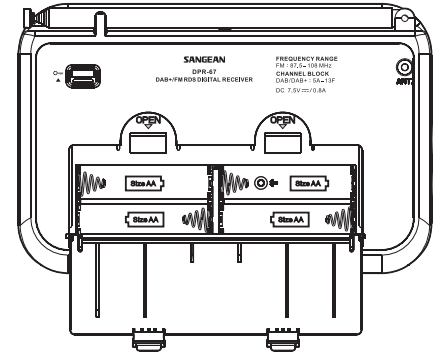
1. Remove the battery cover on the back of the unit by sliding the cover in the direction of the arrow.
2. Slide the switch inside the battery compartment to the NiMH position.
3. Insert four Rechargeable LR6 (AA size) batteries into the spaces in the compartment. Take care to ensure all batteries are inserted with the correct polarity as shown on the back of the radio. The radio is designed to be used with Nickel Metal Hydride (NiMH) rechargeable batteries.
4. Plug the mains adaptor into your radio and then plug the adaptor into the mains.
5. The battery light will flash green indicating batteries are charging. Batteries will be fully charged in around 7 hours. The battery light shows a steady green light when the battery charging is complete.

- **Important:** *when using rechargeable batteries the battery switch must be placed in the NiMH position. Batteries will only be charged when the radio is switched off and connected to the AC adaptor.*

- When the batteries are exhausted, the battery light will show red for a short while. The radio will then switch itself off. It may not be possible to switch the radio back on until the batteries are recharged, or until the radio is connected to the mains adaptor.
- If the radio is not to be used for any extended period of time it is recommended that the batteries are removed from the radio.

IMPORTANT:

The batteries should not be exposed to excessive heat such as sunshnie, fire or the like. After use, disposable batteries should if possible be taken to a suitable recycling centre. On no account should batteries be disposed of by incineration.



Using the AC adaptor

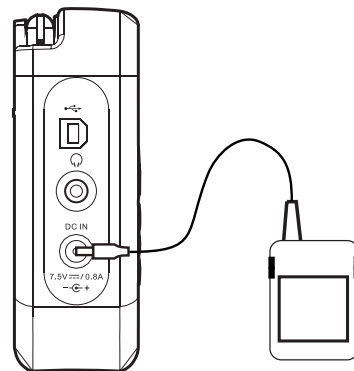
Your radio is supplied with a Mains Adaptor.

1. Place your radio on a flat surface.
2. Insert the adaptor plug into the DC socket located on the left hand side of your radio.
3. Plug the adaptor into a standard 13 amp mains socket outlet. Whenever the adaptor is used with the radio, it will take power from the mains rather than from the batteries.

The AC adaptor should be disconnected from the mains supply and the radio when not in use.



● **IMPORTANT:**

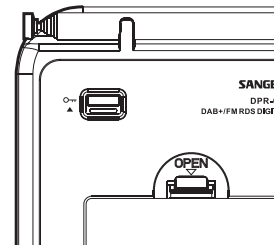
The mains adaptor is used as the means of connecting the radio to the mains supply. The mains socket used for the radio must remain accessible during normal use. In order to disconnect the radio from the mains completely, the mains adaptor should be removed from the mains socket outlet completely.



Lock switch

The Lock switch is used to prevent unintentional operation of your radio.

1. Set the Lock switch located on the back of your radio to the 'Lock' position . The power and all other buttons will be disabled, this will prevent accidental operation when your radio is packed in a suitcase or travel bag.
2. To release the lock, slide the Lock switch down to the 'Unlock' position .



Operating your radio - DAB

1. Carefully extend the telescopic aerial.
2. Press the On/Off button to switch on your radio. The display will show "Welcome to Digital Radio" for a few seconds.
3. If this is the first time the radio is used to scan of the Band III DAB channels will be carried out. The display will show "Welcome to DAB". If the radio has been used before the last used station will be selected.
4. During the scanning process, as new stations are detected the station counter on the right hand side of the display will increase and stations will be added to the list. The lower line of the display shows a bar-graph indicating progress of autotune.
5. When the scanning is completed the first station (in numeric-alpha order 0...9...A...Z) will be selected.
6. If the station list is still empty after the scan, your radio will show "No DAB Station" for a moment.
7. If no signals are found it may be necessary to relocate your radio to a position giving better reception.



Welcome to
Digital Radio

BBC RADIO 7
Now tuning...

BBC RADIO 7
Im sorry I have

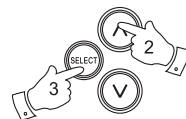
No DAB Station

Selecting a station - DAB

1. The top line of the display shows the name of the station currently selected.
2. Press the Tuning Up/Down buttons to scroll through the list of available stations.
3. Press and release the Select button to select the station. The display may show "Now tuning..." while your radio finds the new station.
4. Adjust the Volume up or Down buttons to the required setting.

Note:

If after selecting a station the display shows "Service not available". it may be necessary to relocate your radio to a position giving better reception.



Classic FM

Station list
BBC RADIO 7

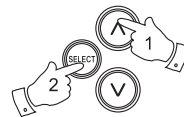


BBC RADIO 7
Now tuning...

BBC RADIO 7
Service not avai

Secondary services - DAB

1. Certain radio stations have one or more secondary services associated with them. If a station has a secondary service associated with it the display will show ">>" next to the station name on the station list. The secondary service will then appear immediately after the primary service as you press the Tuning Up button.
2. Press the Select control to select the station.



BBC Radio 5Live
* <BBC RSSX *

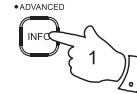
BBC R5LiveSportX
*BBC R5L >>

Display modes - DAB

Your radio has seven display modes:-

1. Press the Info button to cycle through the various modes.

- | | |
|---------------------------|--|
| a. Scrolling text | Displays scrolling text messages such as artist/track name, phone in number etc. |
| b. Program Type | Displays the type of station being listened to e.g. Pop, Classic, News etc. |
| c. Multiplex Name | Displays the name of DAB multiplex to which the current station belongs. |
| d. Time and date | Displays the current the time and date. |
| e. Frequency | Displays the frequency of the DAB multiplex for the station listened to. |
| f . Bit rate & audio type | Displays the digital bit rate & audio type for the station being listened to. |
| g. Signal Strength | Displays a graph showing the signal strength for the station being received. |



- | | |
|---|---------------------------------|
| a | BBC RADIO 7
Jane Jones Pres |
| b | BBC RADIO 7
Varied Speech |
| c | BBC RADIO 7
BBC National |
| d | BBC RADIO 7
19:17 08-06-2010 |
| e | BBC RADIO 7
12B 225.64MHz |
| f | BBC RADIO 7
96kbps / AAC |
| g | BBC RADIO 7
■■■■■ ■■■■ |

Finding new stations - DAB

As time passes new stations may become available. To find new stations proceed as follows:-

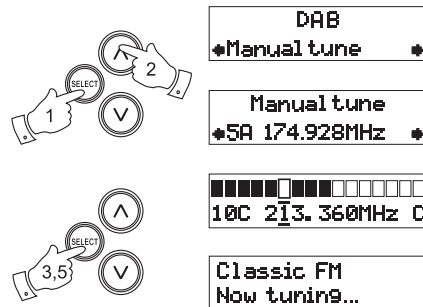
1. With the radio switched on and in DAB mode, press and release the Auto Tune button.
The display will show "Scanning..." and your clock radio will perform a scan of the Band III DAB channels. As new radio stations are found the station counter on the right-hand side of the display will increase and the radio stations will be added to the list stored in the radio.



Manual Tuning - DAB

Manual tuning allows you to tune directly to the various DAB Band III channels. Note that DAB stations are located in the range of 5A-13F.

1. Press and hold the Select button until the display shows "Manual tune". Release the Select button.
2. Press either of the Tuning Up/Down buttons to select the required DAB channel.
3. Press and release the Select button to select the required DAB channel. The clear unfilled rectangle indicates the minimum signal level required for satisfactory reception. The signal strength bar will go up and down showing the changing signal strength as you adjust the telescopic aerial on your radio.
4. When a DAB signal is found, the display will show the name of the DAB multiplex. Any new radio stations found will be added to the list stored in the radio.
5. Press and release the Select button to return to the normal DAB tuning mode.



Dynamic Range Control settings - DAB

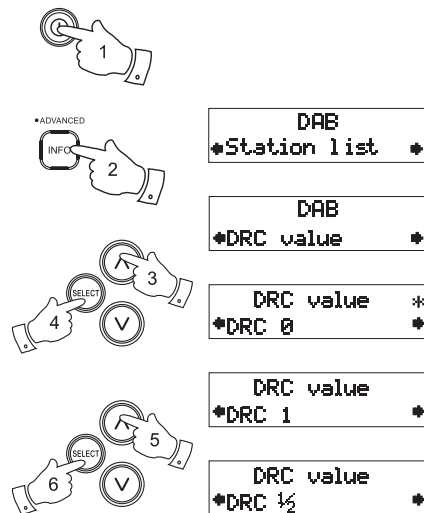
Dynamic Range Control (also known as DRC) can make quieter sounds easier to hear when your radio is used in a noisy environment.

1. Press the On/Off button to switch on your radio.
2. Press and hold in the Info button. The display will show "Station list."
3. Press the Tuning Up/Down buttons until the display shows "DRC value".
4. Press and release the Select button to enter adjustment mode.
5. Press the Tuning Up/Down buttons to select the required DRC setting (the default is 0).
DRC 0 - DRC is switched off, Broadcast DRC will be ignored.
DRC 1 - DRC is set as sent by broadcaster.
DRC 1/2 - DRC level is set to 1/2 that sent by broadcaster.
6. Press and release the Select button to confirm the setting.
The display will return to normal tuning mode.

Note:

Not all DAB broadcasts are able to use the DRC function.

If the broadcast does not support DRC, then the DRC setting in the radio will have no effect.

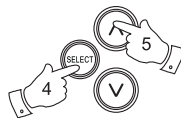


Operating your radio - FM

1. Carefully extend the telescopic aerial.
2. Press the On/Off button to switch on your radio. The display will show "Welcome to Digital Radio" for a few seconds.
3. Press the Band button to select the FM band.
4. Press and release the Select button until the display shows "Auto tune <>".
5. Press the Tuning Up button. Your radio will scan from the currently displayed frequency direction upwards and will stop scanning when it finds a station of sufficient strength.
6. The display will show the frequency of the signal which has been found. If RDS information is available, after a few seconds the display will show the radio station name. The display will also show "St" and "RDS" on the upper line if the station is received with stereo and RDS information.
7. Press the Tuning Down button to scan the FM band in a downwards direction (high frequency to low frequency).
8. When the end of the waveband is reached your radio will recommence tuning from the opposite end of the waveband.
9. Adjust the Volume control to the required setting.
10. To switch off your radio press the On/Off button.



87.50 MHz FM1
<Radio Text>



87.50 MHz FM1
Auto tune <>



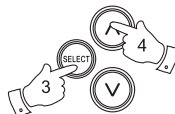
BBC R2 St RDS
<Radio Text>

Manual tuning - FM

1. Press the On/Off button to switch on your radio.
2. Press the Band button to select the FM band. Fully extend the Telescopic aerial.
3. Press and release the Select button until the display shows "Manual tune < >".
4. Press either the Tuning Up or Down buttons to tune to a station. The frequency will change in steps of 50kHz. Pressing and holding one of the buttons will advance the frequency selection several times each second.
5. When the end of the waveband is reached the radio will recommence tuning from the opposite end of the waveband.
6. Adjust the Volume control to the required setting.
7. To cancel the Manual Tune option, press and release the Select button again so that the display shows "Auto tune < >".



87.50 MHz FM1
<Radio Text>



87.50 MHz FM1
Manual tune < >

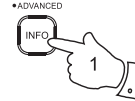


Display modes - FM

In FM mode the bottom line of the display can be set any of four display options.

1. Press the Info button to cycle through the various options.

- a. Radio text Displays scrolling text messages such as artist/track name, phone in number etc.
- b. Program Type Displays the programme information for the station being listened to e.g. Pop, Classic, News, etc.
- c. Time and date Displays the current time and date.
- d. Frequency Displays the frequency of the station being listened to.



a

BBC R2	St RDS
The latest news	

b

BBC R2	St RDS
Pop Music	

c

BBC R2	St RDS
12:02 16-06-2003	

d

BBC R2	St RDS
88.10MHz FM	

Note:

These FM mode information displays are only available when the radio is able to receive RDS information from the broadcaster.

Presetting stations - DAB and FM

There are 5 memory presets for each of the two wavebands.

1. Press the On/Off button to switch on your radio.
2. Tune to the required station as previously described.
3. Press and hold the required Preset button until the display shows, for example, "Preset 1 stored". The station will be stored under the chosen preset button. Repeat this procedure for the remaining presets.
4. Stations stored in the presets may be overwritten by following the above procedure.



BBC R2
Preset 1 stored

Recalling a preset - DAB and FM

1. Press the On/Off button to switch on your radio.
2. Select the required waveband.
3. Momentarily press the required Preset button. Your radio will then tune to the station stored in preset memory.



BBC RADIO 7
Now tuning...

Stereo / Mono setting - FM

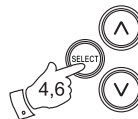
Your radio will play stereo broadcasts in stereo (via headphones) so long as the received signal is of adequate strength. However, as a stereo signal becomes weaker the audio signal will become poorer.

It may be preferable to force the radio to play the station in mono in order to reduce the level of audio noise.

1. Press the On/Off button to switch on your radio.
2. Tune to the required FM radio station as previously described.
3. Press and hold the Info button until the display shows "Mono override" on the lower line.
4. Press the Select button to enter Menu. The lower line of display will show "Override Off" if the radio is in the Auto-Stereo mode. Press the Tuning Up or Down button to switch on the mono override. While this setting is engaged, the radio will play the current station in mono whether listening via headphones or the loudspeaker.

Mono Override is a temporary setting and is applied to the currently tuned station only. It is cancelled automatically by tuning to another radio station.

5. If you wish to cancel Mono-Override while listening to the currently tuned radio station, press and hold the Info button until the display shows "Mono override" on the lower line. Press the Select button to enter the Mono override menu, the lower line will show "Override On" if the radio is in the Mono-Override mode.
6. Press the Select button to switch off the Mono-Override. The radio will play then play the current station in stereo through headphones if the signal is sufficiently strong.



```
BBC R2    St RDS
88.10MHz
```

```
FM
*Mono Override *
```

```
Mono Override *
*Override Off *
```

Scan sensitivity setting - FM

Your radio will normally scan for FM broadcasts which are strong enough to give good reception. However, you may wish the Auto-scan function to also be able to find weaker signals, possibly from more distant radio transmitters. Your radio includes a local / distant option for the Auto-scan function.

1. Press the On/Off button to switch on your radio.
2. If needed, press the Band button to select the FM band.
3. Press and hold the Info button until the display shows "Mono override" on the lower line.
4. Press and release the Tuning up or down buttons until the display shows "FM Scan Zone" then press the Select button to enter the scan zone selection menu.
5. Press the Tuning up or down buttons to switch between Local and Distant options on the lower line of the display. The Distant option will allow the radio to find weaker signals when scanning.
6. Press the Select button to confirm your selection. The radio will then revert to the normal information display. The Local or Distant setting is stored in the radio and remains in force until changed or until a System Reset.

Note:

The initial setting (out of the box, or after a System Reset) causes the radio to ignore weak (distant) signals.



```
BBC R2   St RDS
88.10MHz
```

```
FM
*Mono Override *
```

```
FM
*FM Scan Zone *
```

```
FM Scan Zone  *
*Local          *
```

```
FM Scan Zone
*Distant       *
```

Software version

The software display cannot be altered and is just for your reference.
Ensure your radio is switched on and in DAB mode.

1. To view the software version on the display press and hold the Info button for 2 seconds.
2. Repeatedly press the Tuning Up/Down button until the display shows "SW version" on the lower line. Press the Select button to enter the SW version. The version number is then shown on the lower line of the display. Press and release the Info button to normal tuning mode.



```
DAB
*SW version*
```



```
SW version
dab-mmi-FS2027-0
```

System reset

If your radio fails to operate correctly, or some digits on the display are missing or incomplete carry out the following procedure.

1. Press and hold down the Info button for 2 seconds
2. Repeatedly press the Tuning Up/Down buttons until the display shows "Factory reset", then press the Select button.
3. If you wish to perform the reset operation, press the Select button one more time. A full reset of your radio will be performed. All presets and station lists will be erased.
4. After a system reset a scan of the DAB band will be performed. In case of malfunction due to electrostatic discharge, reset the product (reconnection of power source may be required) to resume normal operation.



```
FM
*Factory reset*
```



```
Press SELECT to
confirm reset...
```

```
Restarting...
```

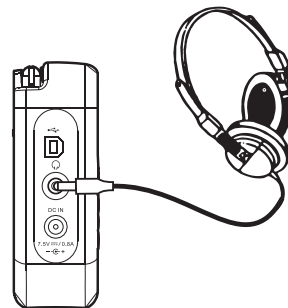
```
Welcome to DAB 0
■■■■■■■■
```

Headphone socket

A 3.5mm Headphone Socket located on the left hand side of your radio is provided for use with either headphones or an earpiece. Inserting a plug automatically mutes the internal loudspeaker.

IMPORTANT:

Excessive sound pressure from earphones and headphones can cause hearing loss.



Display backlight

1. When using on batteries, the display backlight will be switched on for approximately 12 seconds when any button is pressed.
2. When your radio is powered by AC mains the display backlight will always be on when the radio is switched on.

USB socket for software upgrade

Software updates for your radio may be available in the future. As software updates become available software and information on how to update your radio can be found at:

<http://sg.sangean.com.tw/first/first.asp>

<http://www.sangean.eu/index.asp>

<http://www.sangean.com.au>

For more information, please contact our Head Office by sending an email to info@sangean.com.

A Few Words about Batteries...

Your radio has been designed to use a choice of power sources.

You may plug it into the mains using the supplied high-efficiency adaptor, or for listening away from the mains you may use either alkaline or rechargeable batteries. We do not recommend the use of carbon-zinc or zinc-chloride batteries.

It is very important that you read the advice and warnings given below.

- 1) Whichever type of batteries you choose to use, it is very important that the battery selection switch under the cover is set to the correct type.
 - a. If no batteries are fitted, then set the switch to the Alkaline position (to the left as viewed from the back of the radio). This position minimises the power consumption when the radio is powered from the mains.
 - b. If Alkaline batteries are fitted, then set the switch to the Alkaline position (to the left as viewed from the back of the radio).
 - c. If Rechargeable batteries are fitted, then set the switch to the NiMH position (to the right as viewed from the back of the radio). Your radio is designed to use Nickel-Metal-Hydride rechargeable batteries. No other type of rechargeable battery should be used in the radio.

- 2) **NEVER** mix old and new Alkaline batteries. The old batteries may suffer damage and leak which will damage your radio and whatever the radio is standing on.
- 3) **NEVER** mix old and new Rechargeable batteries. This may result in unreliable charging and shortened battery life. Never mix Rechargeable batteries of different types or capacities even if they are new.
- 4) **NEVER** mix Alkaline and Rechargeable batteries. The recharging of Alkaline batteries can be very dangerous.

Rechargeable batteries

Your radio uses a range of methods to ensure correct and safe charging of Rechargeable Nickel-Metal-Hydrate batteries.

These work to protect your batteries from excessive charge and discharge. These protections can only work properly if the advice above is followed. In particular, the radio will not be able to correctly charge batteries if they are a mixture of different brands, or different ages, or different capacities.

We recommend that all the rechargeable batteries used in your radio are bought together as a set. They should always be charged together and discharged together and not "borrowed" from time to time for other applications. This will ensure that they give their optimum performance in your radio.

We recommend that the rechargeable batteries that you use should be from a quality brand, and should be of at least 2000mAh capacity. Batteries of this capacity should be able to power your radio for between 10 and 20 hours depending upon the volume of the radio, whether DAB or FM mode is used (DAB mode uses slightly less power than FM), and also depending on the condition of the batteries.

Before you first install a new set of rechargeable batteries into your radio you should first make sure that the battery type switch beneath the battery cover is in the NiMH position. Install the batteries arranging them as shown on the back of the radio. Plug the mains adaptor into a mains socket and then into the radio. While the batteries are charging the battery indicator should show a flashing green light. When the batteries are fully charged the indicator will stop flashing and will show a steady green light. The time taken to charge the batteries will depend on how much charging they require. New batteries may be partly charged when first fitted, but it is normal for a set of batteries to take several hours to charge fully (this can be between 5 and 8 hours depending on the battery capacity and their initial state of charge).

If you use the radio powered from the batteries, the battery light will be off until the batteries are exhausted. The battery light will then show red for a short while before the radio switches itself off. It does this in order that the batteries are not excessively discharged. This would otherwise damage the batteries and shorten their life.

If you use the radio powered from the mains with rechargeable batteries fitted, the charging process is suspended until you switch off the radio. When you switch off the radio using its On/Off button charging will then resume. If the batteries have already been charged then they will only charge for a few more minutes before the battery indicator stops flashing.

If you only listen to your radio for short periods, you do not need to connect your radio to the mains to charge the batteries every time that you use it. However, if the radio is not to be used for a few weeks, then we recommend that the batteries are fully charged (battery light shows steady green) before the radio is put to one side.

If you intend not to use your radio for some months, then we recommend that the batteries are removed and put away, keeping them in a cool place out of reach of children, away from moisture and such that no metal object can contact the battery terminals.

With care, rechargeable batteries can last a long time and can operate for many hundreds of charge and discharge cycles. When your rechargeable batteries can no longer power your radio adequately, please dispose of them thoughtfully.

To avoid danger and risk of injury, please follow these guide lines

Improper use of batteries may result in leakage of fluid, overheating or explosion. Battery fluid is corrosive and may also be toxic. Battery fluid can cause skin burns, can damage the eyes, and can be harmful if swallowed.

1. Keep batteries out of the reach of children.
2. Do not heat, open, puncture, mutilate or dispose of batteries by burning.
3. Do not mix different battery types or old and new batteries. Always replace all the batteries at the same time.
4. Do not carry or store batteries such that metal objects may contact the end caps.
5. Remove batteries from the radio if they are worn out or if you are storing it for a long time.
6. Remove old or worn out batteries promptly, and recycle or dispose of them according to the regulations applicable to your location.
7. If a battery does leak, remove all batteries from the product, taking care to avoid directly touching the leaked fluid. If the fluid contacts skin or clothes wash with water immediately. Before inserting new batteries, thoroughly clean the battery compartment with a damp paper towel, or follow the battery manufacturer's advice for clean up.

General

Do not allow this radio to be exposed to water, steam or sand. Do not leave your radio where excessive heat could cause damage such as in a parked car where the heat from the sun can build up even though the outside temperature may not seem too high. It is recommended that the DAB band be used wherever possible as better results in terms of quality and freedom from interference will usually be obtained than on the FM band.

The name plate is located on the back of your radio.



- Your radio should not be exposed to dripping or splashing and that no objects filled with liquids, such as vases, shall be placed on the radio.
- It is recommended to operate the product such that there is a minimum distance (10cm recommended) to adjacent objects in order to ensure good ventilation.
- The ventilation of the product should not be restricted by covering it or its ventilation openings with items such as newspapers, tablecloths, curtains etc.
- No naked flame sources such as lighted candles should be placed on the product.
- It is recommended to avoid using or storing the product at extremes of temperature. Avoid leaving the unit in cars, on window sills, in direct sunlight etc.

Specifications

Power Requirements

Mains	AC 100 ~ 240V 50/60 Hz (switching adaptor)
Batteries	4 x LR6 (AA size) Alkaline or NiMH rechargeable

Battery Life

Up to 25 hours of listening when used for 4 hours a day at normal volume using alkaline cells.

Frequency Coverage

FM 87.5 - 108MHz
DAB 174.928 - 239.200MHz

Circuit Features

Loudspeaker	75mm
Output Power	0.5 Watt
Headphone socket	3.5mm dia
Aerial System	FM Telescopic aerial DAB Telescopic aerial

The Company reserves the right to amend the specification without notice



If at any time in the future you should need to dispose of this product please note that: Waste electrical products should not be disposed of with household waste. Please recycle where facilities exist. Check with your Local Authority or retailer for recycling advice. (Waste Electrical and Electronic Equipment Directive)