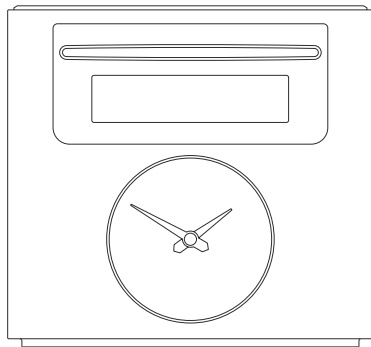


RCR-4



GB

Version 1





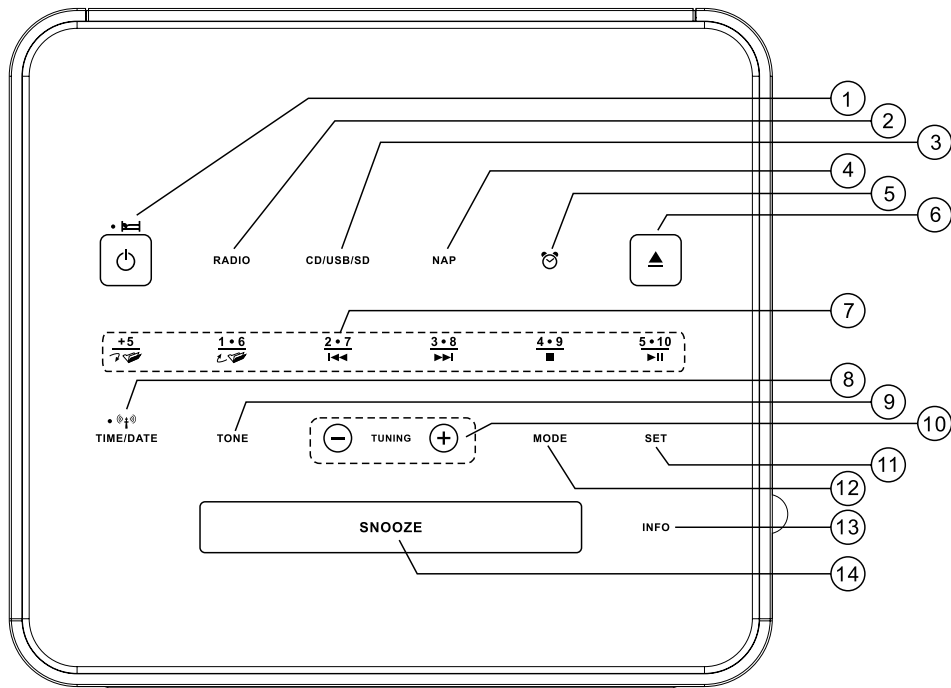
Important safety instructions

1. Read and understand all safety and operating instructions before the radio is operated.
2. Retain instruction: The safety and operating instructions should be retained for future reference.
3. Heed warnings. All warnings on the appliance and operating instructions should be followed.
4. Follow all operations and use instructions.
5. Water and moisture: The appliance should not be used near water. Do not use near a bathtub, washbowl, laundry tub, kitchen sink, wet basement, swimming pool, etc.
6. Unplug the radio from the AC power outlet before cleaning. Use only a damp cloth for cleaning the exterior of the radio.
7. Do not place the radio on an unstable cart, stand, bracket or table. The radio may fall, causing serious personal injury and damage to the radio.
8. Ventilation: This radio should be situated so that its location or position does not interfere with its proper ventilation. For example, the radio should not be used on a bed, sofa, rug or other soft surfaces that may block the ventilation openings. It should not be placed in a built-in situation like a cabinet that may reduce air flow through the ventilation openings.

9. Power sources: The radio should be operated only from the type of power source indicated on the marking label. If you are not sure of the type of power supply to your home, consult your radio dealer or power company.
10. Power cords: The power cord should be positioned so it is not walked on, pinched, or items placed on top of it. Pay particular attention to cords at plugs, convenience receptacles, and the point where they exit from the unit. Unplug the power cord by gripping the power plug, not the cord. Operate the radio using only the current type of power source indicated. If you are not sure of the type of power supply to your home, consult your dealer or local power company.
11. Do not overload wall outlets or extension cords. This can result in a risk of fire or electrical shock. Never insert objects of any kind into the radio through opening. The objects may touch dangerous voltage points or short out parts. This could cause a fire or electrical shock.
12. If the radio is left attended and unused for long periods of time, unplug it from the wall outlet. This will prevent damage caused by lightning or power line surges.
13. If the radio is left unattended and unused for a long period of time, remove the batteries. The batteries may leak and damage furniture of your radio.

GB

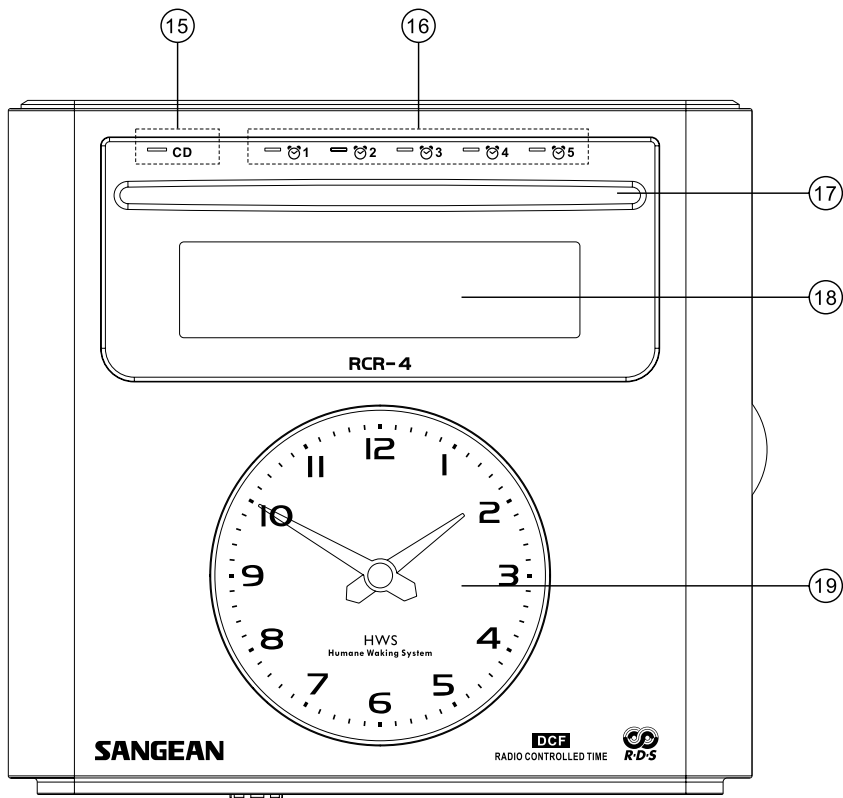
- 
- 
14. Do not attempt to service the receiver yourself. Removing the cover may expose you to dangerous voltage, and will void the warranty. Refer all servicing to authorized service personnel.
15. Object and Liquid Entry-Never push objects of any kind into this radio through opening as they may touch dangerous voltage points or short-out parts that could result in a fire or electric shock. Never spill liquid of any kind of product.
16. The appliance should be serviced by qualified service personnel when:
- A. The power supply cord or the plug has been damaged.
 - B. Objects have fallen or liquid had been spilled into the radio.
 - C. The radio has been exposed to rain or water.
 - D. The radio does not appear to operate normally or exhibits a marked change in performance.
 - E. The radio has been dropped, or the enclosure damaged.



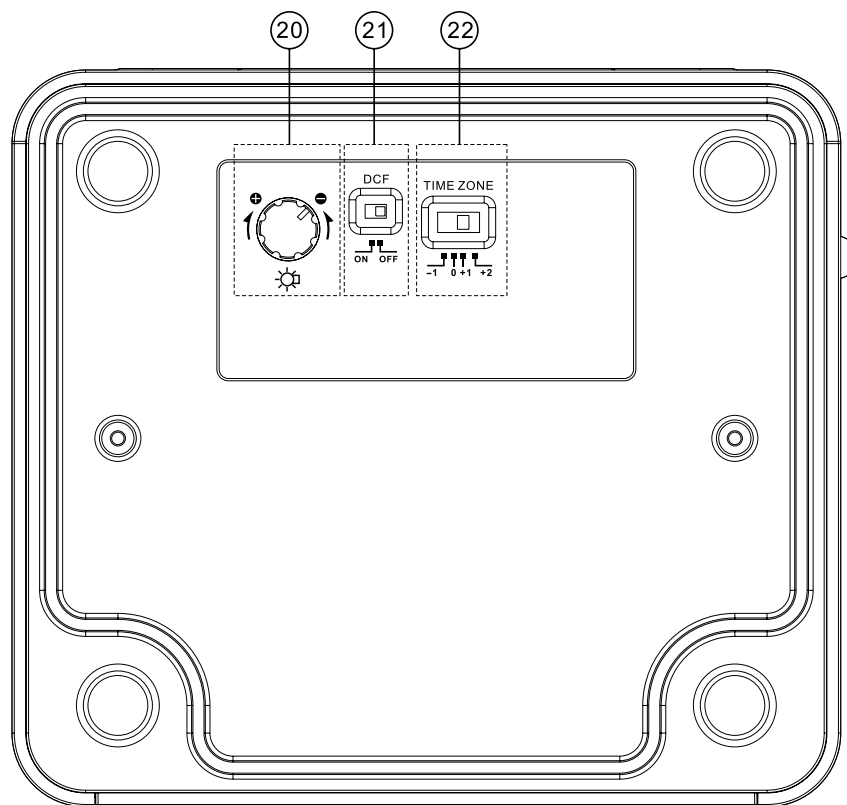
Controls

- | | |
|---|---------------------------|
| ① Power key | ⑧ Time/Date keys |
| ② RADIO key | ⑨ Tone control key |
| ③ CD/USB/SD key | ⑩ Tuning Up and Down keys |
| ④ NAP key | ⑪ Set key |
| ⑤ ALARM key | ⑫ Mode key |
| ⑥ EJECT key | ⑬ Info key |
| ⑦ Presets and CD/USB/SD
music playing control keys | ⑭ Snooze key |

GB

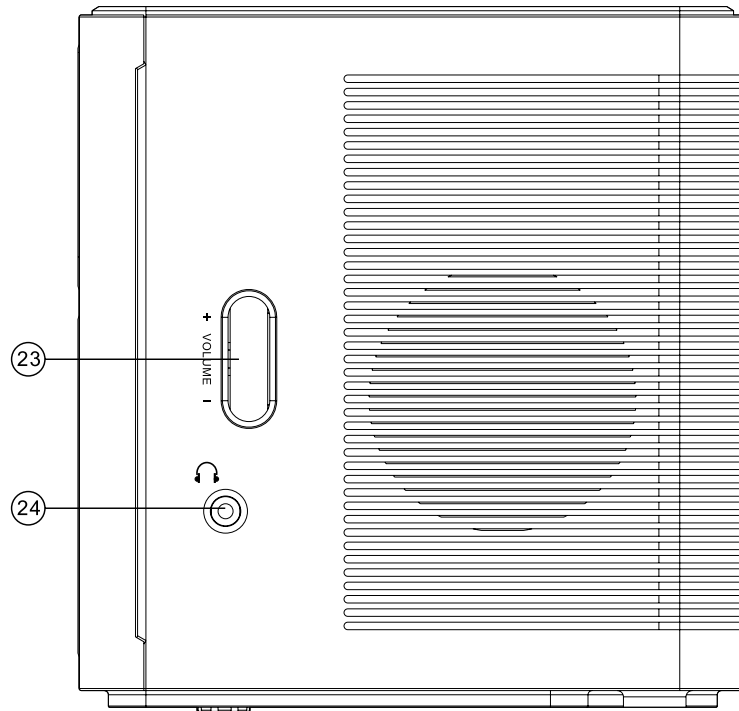


- ⑮ CD indicator
- ⑯ Alarm indicators
- ⑰ CD slot
- ⑱ Display
- ⑲ Clock



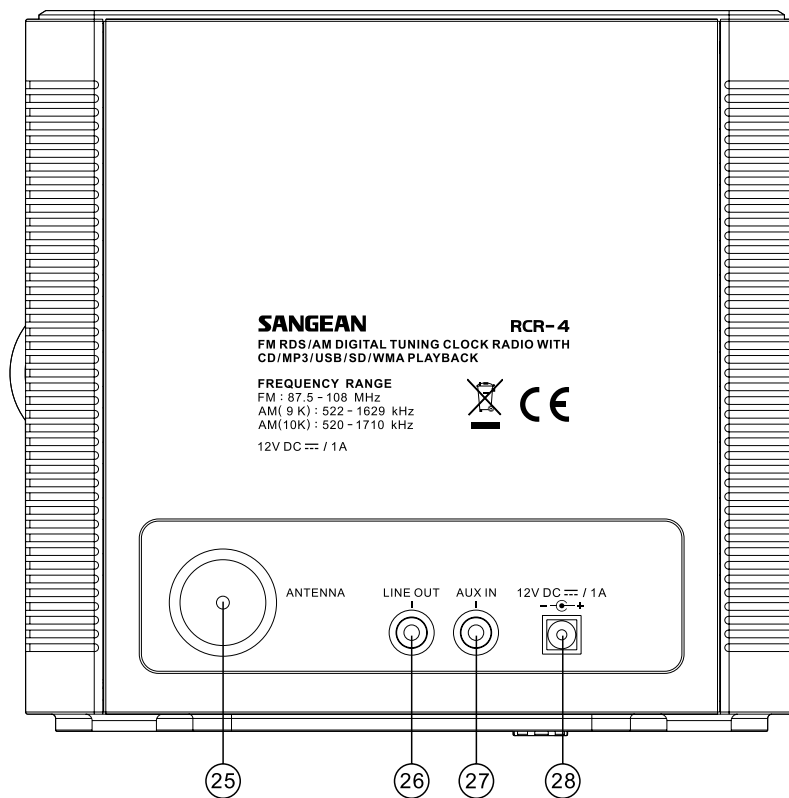
- ②① Display backlight adjustment
- ②① DCF (Auto Time setting) switch
- ②② Time zone switch

GB



②③ Volume control

②④ Earphone jack



- ②5 Antenna
- ②6 Line out jack
- ②7 AUX In jack
- ②8 Power connector

GB

Operation

Power on

Connect the plug to a wall socket, then the clock shows 00:00.

And the display shows “Clock not set”.

Set TIME ZONE switch (on the bottom of the radio) to 0 position for regular case.

Clock setting

Clock Auto Setting

1. Switch on the DCF switch on the bottom of the radio to On in the area where provide the Radio Controlled Time service.
2. The clock time will automatically set up. Auto time set up takes about 15 minutes.
3. When Clock Auto Setting is operating, the LCD shows the signal strength.
 - When it is under “Clock not set”, the Clock Auto Setting operates once an hour. When the clock is automatically set, the Clock Auto Setting operates once every other hour.
 - Touch TIME/DATE key for more than 2 seconds to activate the Clock Auto Setting (When DCF is on and under standby mode). When it is under the Clock Auto Setting, touch the TIME/DATE key for more than 2 seconds to deactivate it.

Clock manual setting

(when there is no Radio Controlled Time service,
please switch the DCF to OFF)

1. Touch the TIME/DATE key then touch the SET key, to enter the time and date set up mode. And the year digits will flash.
2. Touch the UP/Down keys to adjust the year.
3. Touch the SET key, and the month digits will flash.
4. Touch the UP/Down keys to adjust the month.
5. Touch the SET key, and the date keys will flash.
6. Touch the UP/Down keys to adjust the date.
7. And then Touch the SET key to set the time, and the hour digits will flash.
8. Touch the UP/Down keys to adjust the hour.
9. Touch the SET key, and the minute digits will flash.
10. Touch the UP/Down keys to adjust the minutes.
11. Finally touch the SET key, and the time and date are set.

Radio operation

Tuning into radio stations

There are 3 ways of tuning your radio:

GB

A. Manual tuning

1. Touch the POWER key to turn on your radio.
2. Touch the RADIO key repeatedly to select AM (MW) or FM.
3. Touch the UP or DOWN keys to change the frequency.
4. Touch the POWER key again to turn off your radio.

B. Scan tuning

1. Touch the POWER key to turn on your radio.
2. Touch the RADIO key repeatedly to select AM (MW) or FM.
3. Touch the UP or DOWN keys for more 0.5 second and release, it will tune into the next frequency with reception.
4. Touch the POWER key again to turn off your radio.

C. ATS – Auto Tuning System

The ATS function scans through the selected band frequency for all usable signal. It creates an easily navigated table for all detected signals.

1. Touch the POWER key to turn on your radio.
2. Touch the RADIO key repeatedly to select AM (MW) or FM.
3. Touch the MODE key for more than 2 seconds, and ATS function will automatically scan and store the radio stations, and the “ATS” on the display will flash. Once completed, the “ATS” will disappear.
4. To recall ATS table navigation, touch MODE key. Then the display shows the band and the ATS station number such as “FM-01”.
 - The ATS station memory will be reset when it is unplugged. When the ATS memory is empty, the display shows “empty” such as:

FM-empty
01 87.50 MHz

5. Touch UP or Down key to select the stations. The display shows such as:

FM-32	RDS ST
08	106.50 MHz

6. To deactivate the recall ATS function, just touch the MODE key again, and the ATS station number will disappear.

* ATS function can store up to 99 stations for each AM and FM.

Radio Preset Memory – save and recall the preset stations

1. There are 10 presets for each FM and AM.
2. There are 5 keys for presets: $\frac{1+6}{1+6}$ 、 $\frac{2+7}{1+4}$ 、 $\frac{3+8}{3+1}$ 、 $\frac{4+9}{4}$ 、 $\frac{5+10}{5+11}$
3. To save the current listening station to presets 1-5, touch $\frac{1+6}{1+6}$ 、 $\frac{2+7}{1+4}$ 、 $\frac{3+8}{3+1}$ 、 $\frac{4+9}{4}$ 、 $\frac{5+10}{5+11}$ keys for more than 2 seconds.
To save the current listening stations to presets 6-10, touch +5 key and touch $\frac{1+6}{1+6}$ 、 $\frac{2+7}{1+4}$ 、 $\frac{3+8}{3+1}$ 、 $\frac{4+9}{4}$ 、 $\frac{5+10}{5+11}$ keys for more than 2 seconds.
4. To listen to the preset stations 1-5, touch $\frac{1+6}{1+6}$ 、 $\frac{2+7}{1+4}$ 、 $\frac{3+8}{3+1}$ 、 $\frac{4+9}{4}$ 、 $\frac{5+10}{5+11}$ keys.
To listen to the presets stations 6-10, touch +5 key and touch $\frac{1+6}{1+6}$ 、 $\frac{2+7}{1+4}$ 、 $\frac{3+8}{3+1}$ 、 $\frac{4+9}{4}$ 、 $\frac{5+10}{5+11}$ keys.

GB

FM RDS

The Radio Data System (RDS) is a system in which inaudible digital information in addition to the normal FM radio program is transmitted. Under FM band, it provides functions such as Clock Time, Program Type, Program Service and Radio Text message.

* The information display is only available when the station provides R.D.S service.


1. When turn into FM station which provides RDS, the display will show "RDS".
2. Touch INFO key, to cycle through the various modes, and wait for 2 seconds to see the information. The order of the modes is Frequency → Program Service → Program Type → Radio Text → Clock Time → Frequency
 1. Frequency: Displays frequency of the station.
 2. Program Service: Displays name of station.
 3. Program Type: Displays the program type.
 4. Radio Text: Displays radio text messages such as news items etc.
 5. Clock Time: Displays the current time provided by the station. Touch SET key to correct your clock with the Clock Time.

Alarm operation

Alarm set up


There are 5 alarms which can be set independently.

The alarms have to be set after the clock time is set.

1. Touch the ALARM key  then touch UP or Down key to select the alarm 1, 2, 3, 4, or 5 to set up the alarm.
2. Touch the SET key, and then touch UP or Down key to set the alarm to be "ON". (The LED lights for the alarms which are turned on)
3. Touch the SET key and then touch UP and Down keys to set the hour digits.
4. Touch the SET key and then touch UP and Down keys to set the minute digits.
5. Touch the SET key and then touch UP and Down keys to set the alarm day option-
Daily - will sound everyday.
Weekdays - will sound on weekdays only.
Weekends - will sound on Saturday and Sunday only.
Once - will sound at one time only
* The initial setting is Daily.
6. Touch the SET key and then touch UP and Down keys to set the alarm sound source: Buzzer, FM, AM, CD, USB or SD card.
If the sound source is selected as FM or AM, then touch the SET key and UP and Down keys to set the radio station.
* The initial setting is Buzzer.
7. Then the alarm is set, and the LED lights shows which alarms are on.
 - The alarm sounds for 1 hour if you don't stop it by touching the POWER key.
8. Touch the POWER key to cancel the alarm sounding.

GB

How to deactivate alarms

1. Touch the ALARM key  then touch UP or Down key to select the alarm (1, 2, 3, 4, or 5) which you would like to deactivate.
2. Touch the SET key, and then touch UP or Down key to set the alarm to be "OFF". (The LED lights will be off for the alarms which are turned off)

Snooze function

1. To interrupt the alarm signal (radio alarm or buzzer alarm), touch the SNOOZE key, and the alarm will stop for 5 minutes and the display will flash the letter "Z". The snooze function can be repeat during the 1 hour period of the alarm is sounding.
2. Touch the POWER key to cancel the snooze and alarm function.

Nap timer

It is a countdown alarm which will sound after the time period that you set. And the time period can be set from 10 to 120 minutes in 10 minutes steps.

1. Touch the NAP key until the required time period is shown on the display.
2. While the Nap timer is alarming, the display flashes the letter "N".
3. To silence the alarm, touch the POWER key.
4. To cancel the Nap timer before the time Nap time is elapsed, touch the NAP key until the OFF word is appeared on the display.

Sleep timer – radio auto shut off

The Sleep timer can be set from 15-120 min. The radio will be switch off after the time you set has elapsed.

1. Touch and hold the POWER key for more than 2 seconds, until the required time period is shown on the display.
2. When the time is counting, touch INFO key to check the time left.

Time zone setting

Set TIME ZONE switch (on the bottom of the radio) to 0 position for regular case.

For some countries where don't provide radio controlled time facility but able to receive radio controlled time signal from nearby countries and the time zone is different, you may use the TIME ZONE switch to correct the time.

For example, in Turkey which is one hour ahead of Central European time but still can receive radio controlled time signal from Germany (Central European time), you may use this TIME ZONE switch to (+1) to correct the local time.

GB

CD operation

This device is able to play CD-R and CD-RW discs containing MP3 and WMA files. In MP3 mode, a CD can have folders/albums, and a folder/album consists of tracks. (depends on how a CD is burned)

1. Insert an audio CD. The display will show “loading” and then “reading” and the CD will be played.
2. Play/stop/eject CD:
 - a. Touch the $\frac{5+10}{\text{CD}}$ key to pause the CD playing; touch the $\frac{5+10}{\text{CD}}$ key again to resume the CD playing.
 - b. To stop the CD, touch the $\frac{4+9}{\text{CD}}$ key.
 - * The total number of the CD folders and tracks will be shown when the $\frac{4+9}{\text{CD}}$ key is touched. For example, when the display shows “F03 Tr022” means there are 3 folders and 22 tracks in this CD.
 - c. To take out the CD, touch the EJECT key.
3. Track selecting:

While the CD is playing, touch the $\frac{2+7}{\text{CD}}$ or $\frac{3+8}{\text{CD}}$ key to change to the desired track. If there are more than 1 folder in the CD, touch the $\frac{+5}{\text{CD}}$ or $\frac{-6}{\text{CD}}$ key to change to the desired folder. The folder number and track number will appear on the display.
4. Fast forward/rewind
 - a. While the CD is playing, touch and hold the $\frac{2+7}{\text{CD}}$ or $\frac{3+8}{\text{CD}}$ key.
 - b. Release the button when the desired part of the track is reached.

5. Play mode:

There are 7 modes of CD playing order. While the CD is playing, touch the MODE key repeatedly, and the display will orderly show the current mode as-

🔁 → 📁 → 🔁 → RAN → RAN F → RAN 🔁 → INTRO → Normal
↑

a. 🔁 (Repeat Track) -

The CD player plays a single track repeatedly.

b. 📁 (Repeat folder) -

The CD player plays a single folder repeatedly.

c. 🔁 (Repeat) -

The CD player plays tracks in numeral order. After the last track, it will go back to the 1st track repeatedly.

d. RAN (Random) -

The CD player plays tracks randomly. It plays once for each track then stop.

e. RAN F (Random folder) -

The CD player plays folders randomly. It plays once for each track then stop.

f. RAN 🔁 (Random Repeat) -

The CD player plays tracks randomly and endlessly.

g. INTRO (Introduction) -

The CD player plays 10 seconds for each track.

h. Normal mode -

The CD player plays the all tracks in numeral order once then stop. The display doesn't show anything for Normal mode.

* When the CD is re-entered, the play mode is Normal no matter which mode it was.

GB

USB and SD operation

1. Slot in an audio USB/SD card on the side of the radio, and the USB/SD will be played.
2. Play and stop USB/SD:
 - a. Touch the $\frac{5:10}{\text{▶}}$ key to pause the USB/SD playing; touch the $\frac{5:10}{\text{▶}}$ key again to resume the USB/SD playing.
 - b. To stop the USB/SD, touch the $\frac{4:9}{\text{■}}$ key.

* The total number of the USB/SD folders and tracks will be shown when the $\frac{4:9}{\text{■}}$ key is touched. For example, when the display shows “F03 Tr022” means there are 3 folders and 22 tracks in this CD.
3. Track selecting:

While the USB/SD is playing, touch the $\frac{2:7}{\text{▶}}$ or $\frac{3:8}{\text{▶}}$ key to change to the desired track. If there are more than 1 folder in the USB/SD, touch the $\frac{4:9}{\text{▶}}$ or $\frac{1:6}{\text{▶}}$ key to change to the desired folder. The folder number and track number will appear on the display.
4. Fast forward/rewind
 - a. While the USB/SD is playing, touch and hold the $\frac{2:7}{\text{▶}}$ or $\frac{3:8}{\text{▶}}$ key.
 - b. Release the button when the desired part of the track is reached.

5. Play mode:

There are 7 modes of CD playing order. While the CD is playing, touch the MODE key repeatedly, and the display will orderly show the current mode as-

1 → F → 1 → RAN → RAN F → RAN 1 → INTRO → Normal
↑

i. 1 (Repeat Track) -

The CD player plays a single track repeatedly.

j. F (Repeat folder) -

The CD player plays a single folder repeatedly.

k. 1 (Repeat) -

The CD player plays tracks in numeral order. After the last track, it will go back to the 1st track repeatedly.

l. RAN (Random) -

The CD player plays tracks randomly. It plays once for each track then stop.

m. RAN F (Random folder) -

The CD player plays folders randomly. It plays once for each track then stop.

n. RAN 1 (Random Repeat) -

The CD player plays tracks randomly and endlessly.

o. INTRO (Introduction) -

The CD player plays 10 seconds for each track.

p. Normal mode -

The CD player plays the all tracks in numeral order once then stop. The display doesn't show anything for Normal mode.

* When the CD is re-entered, the play mode is Normal no matter which mode it was.

GB

Bass/Treble adjustment

1. Touch the EQ key and touch UP or Down key to adjust the BASS. (-5 to +5)
2. Touch the EQ key again and touch UP or Down key to adjust the Treble.
3. Touch the EQ key to finish the setting.

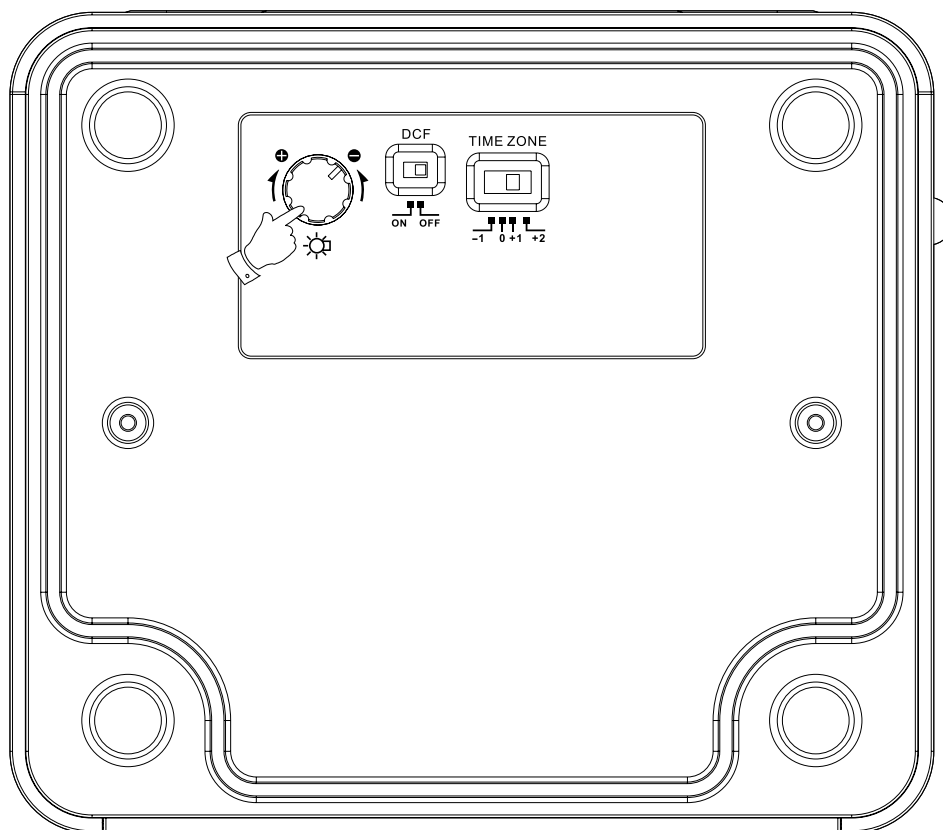
24/12 hours format, year-month-date, AM, FM frequency step set up

This function allows you to set up the format of 12/24 hour, year-month-date formats, FM, AM frequency steps.

1. In the standby mode, touch and hold the MODE key for more than 3 seconds to enter the set up mode.
There are options 0-6 to set up which are:
0: back;
1: 12/24 hour format
2: year, month, date format
3: FM frequency step – 50 or 100 kHz/step
4: AM frequency step (10kHz/step should be selected when you are in Europe. 9kHz/step should be selected when you are in USA)
5: Reset (restore the radio to the factory initial set up)
2. Touch the UP or Down key to select the option, and touch the SET key to enter that option.
* To leave the set up, press UP or Down keys to “0:back” then touch the SET key.
3. Touch the UP or Down key select the option.
4. Touch the SET key to finish the setting.

Display backlight adjustment

Use the proper tool to adjust the Backlight adjustment.



GB

Headphone socket

Plus in a headphone to the Headphone socket Ω on the side of the radio, for headphone function, and the built-in radio speaker will be muted.

AUX IN socket

Plug in external audio devices such as CD player to the AUX IN socket (on the back of the radio), then play your device and touch the Radio key repeatedly until you see "AUX" on the display. The radio will amplify and play out the signal form your device.

Technical data

Power supply:

120 Volt/60 Hz (USA version);

230 Volt/50 Hz (Europe version)/

ADAPTOR DC OUT 12V/1A

Output power: 1.5W+1.5 W (max)

Power consumption: 23W (max)@120V, 25W (max)@230V

Frequency coverage:

FM 87.5 – 108.0 MHz

AM 520 – 1710 kHz (USA version);

AM 522 – 1629 kHz (Europe version)



If at any time in the future you should need to dispose of this product please note that: Waste electrical products should not be disposed of with household waste. Please recycle where facilities exist. Check with your Local Authority or retailer for recycling advice. (Waste Electrical and Electronic Equipment Directive)